

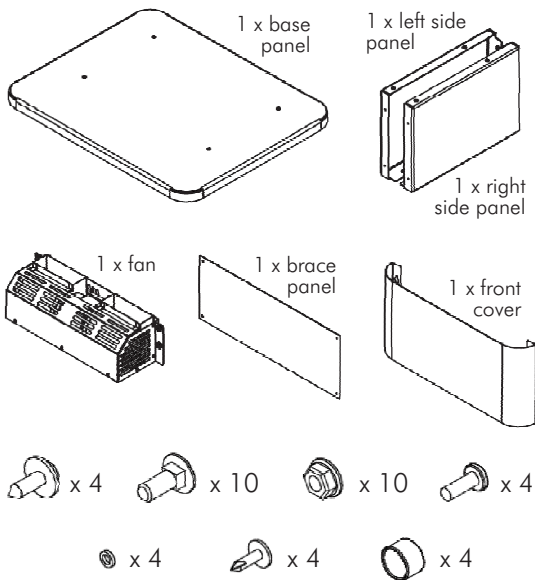


ASSEMBLING YOUR NEW HEATER - PEDESTAL MODEL

Before you start assembling, we recommend you remove the firebricks, brick retainer and baffle plate from inside the firebox and also remove the top panel from the top of the heater.

To remove the top panel, move the top panel forward slightly and lift off the top panel.

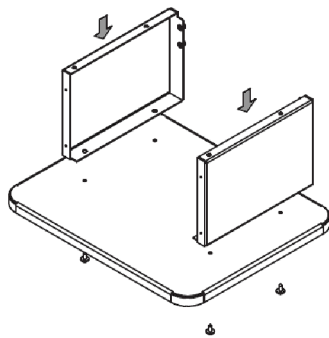
Parts Supplied:



1

Use x 4

Firstly, assemble the pedestal base: fix the pedestal side panels to the base panel using the four large screws provided.

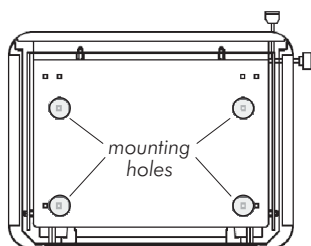


2

Use x 10 and x 10

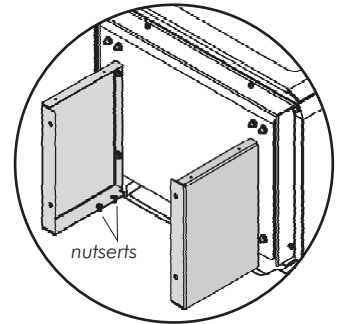
Next, you can attach the firebox to the pedestal. Carefully lay the firebox on its back. Place protective material on the floor to prevent scratches.

With the heater on its back, align the pedestal with the mounting holes on the base of the heater. Refer to the diagram for the locations of the mounting holes.



Fix the pedestal with the coach head bolts and nuts. There are nutserts in the pedestal side panels; these go towards the rear of the heater, as shown.

Place the remaining nuts and bolts in the other six holes in the base of the firebox and tighten.

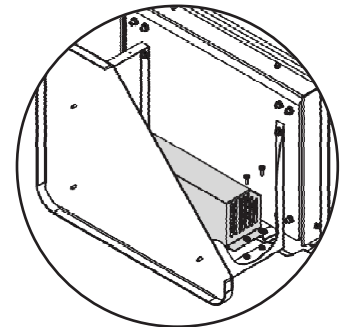


Base panel removed from view for clarity

3

Use x 4

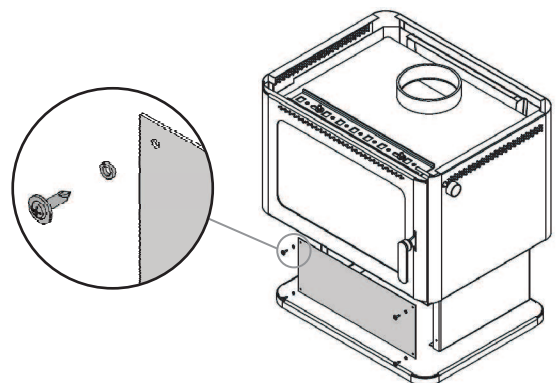
Fix the fan to the pedestal using the four screws provided.



4

Use x 4 and x 4

Carefully stand the heater up and fit the pedestal brace panel. You will need to use the four small washers and four wafer head screws.



Please note that the spacer needs to be used to allow for assembly of the pedestal cover panel. This is detailed in the following step.

Continued on next page...

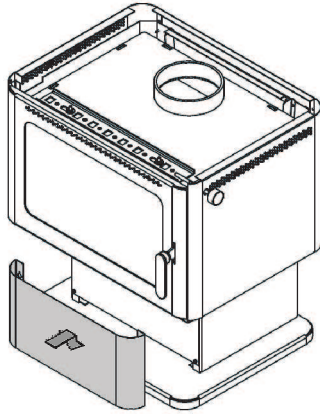
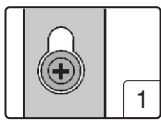


ASSEMBLING YOUR NEW HEATER - PEDESTAL MODEL

5

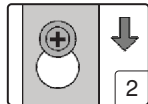
The pedestal front cover has four keyhole cutouts to allow it to fit over the wafer head screws.

Align the cutouts over the heads of the wafer head screws.



Once the four cutouts are aligned, push the panel down into place.

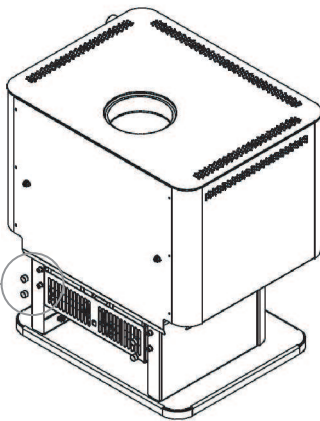
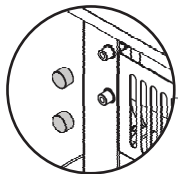
The small washer from the previous step allows the front cover to fit in behind the screw head.



6

Use  x 4

Place the caps over the nutserts at the rear of the heater.



Replace the top panel and refer to the heater instructions for placement of your baffle plate and firebricks.